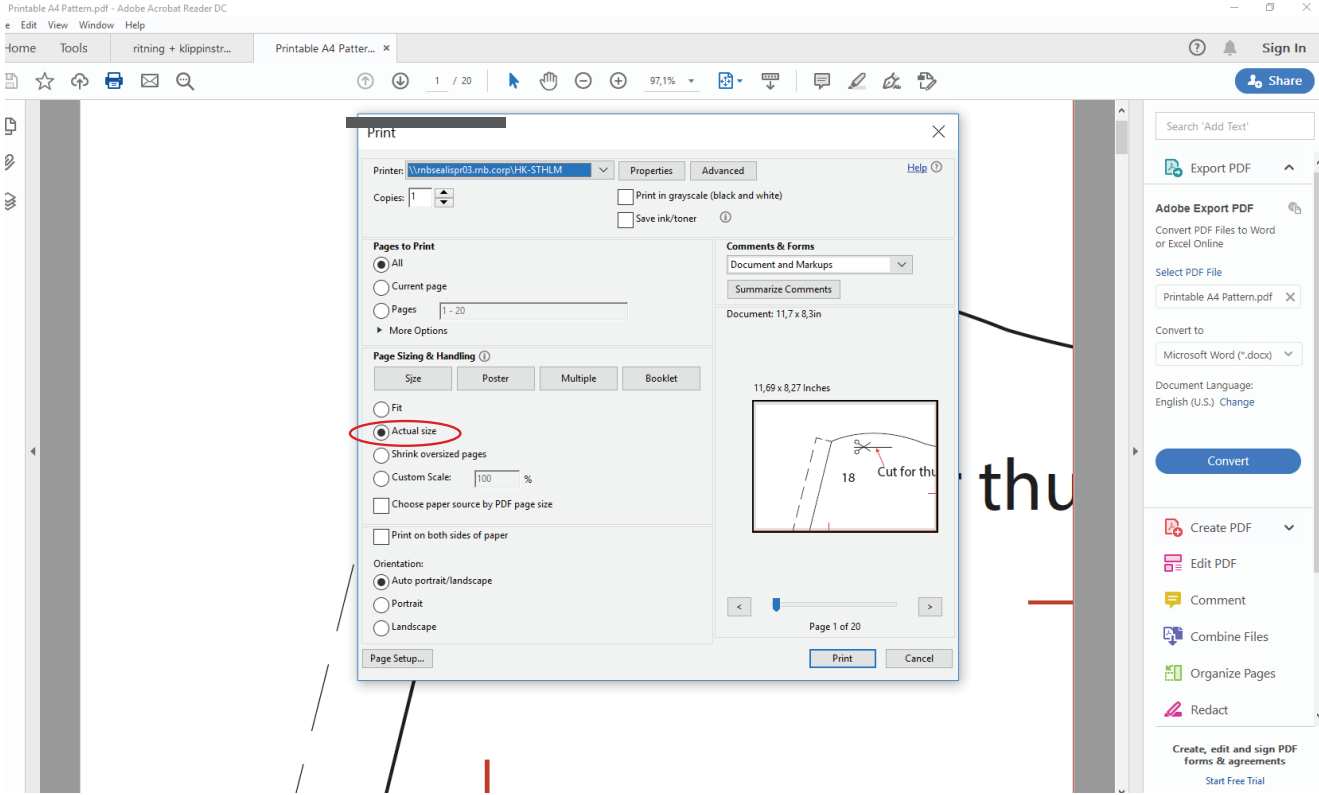
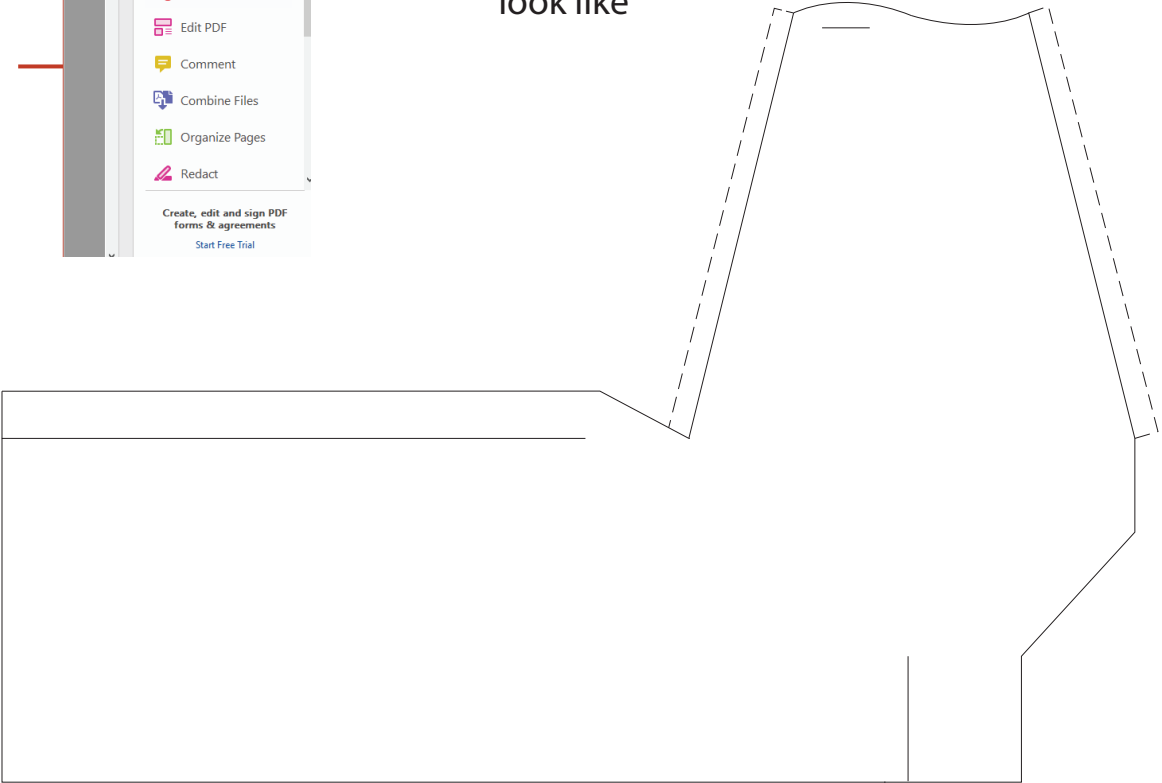


Good to know:

In your printer options, choose "Actual Size"



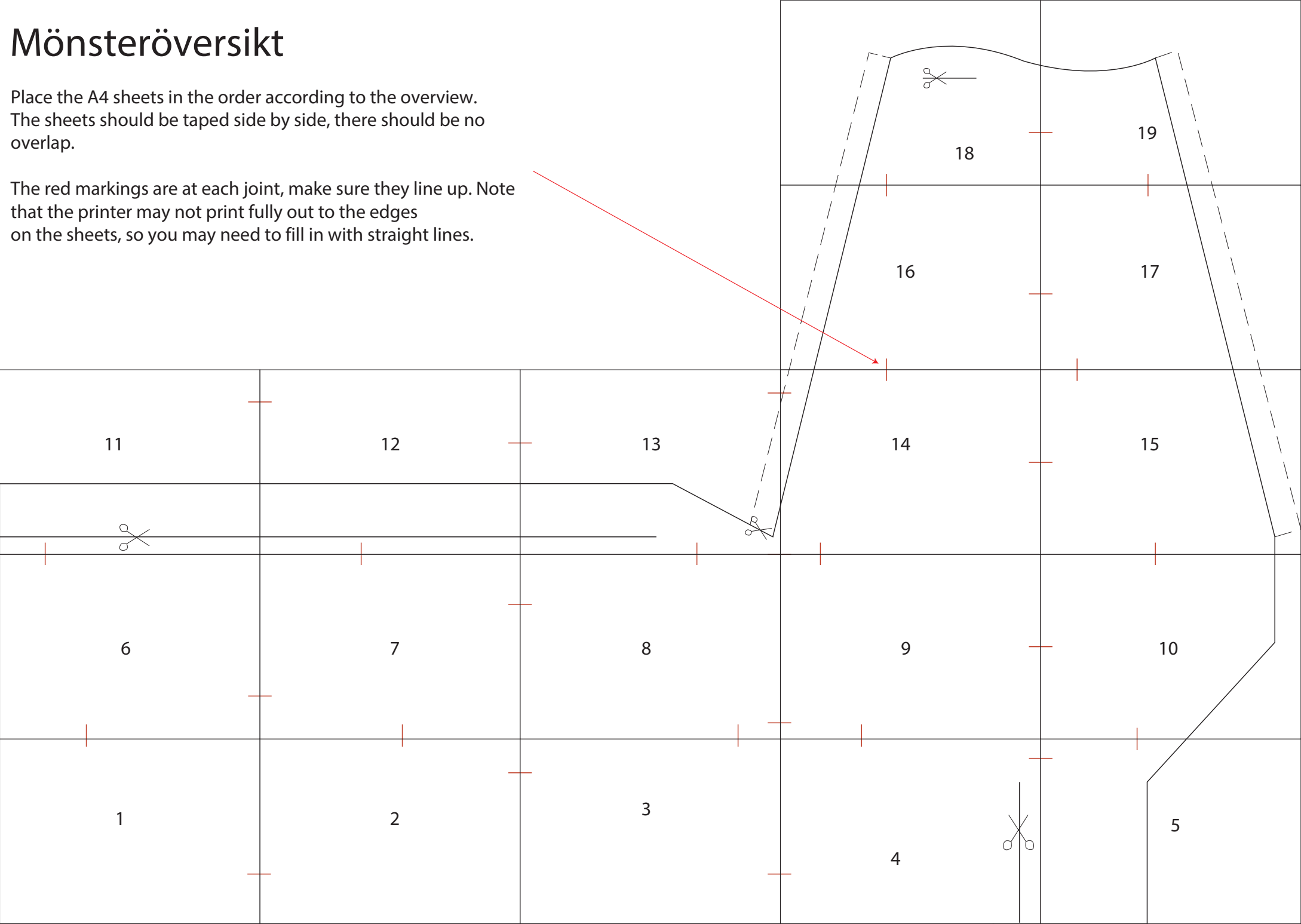
When done, this is what cutout should look like

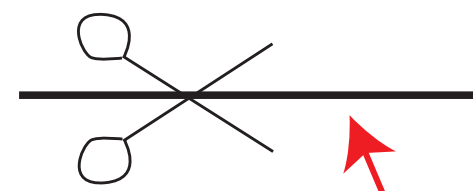
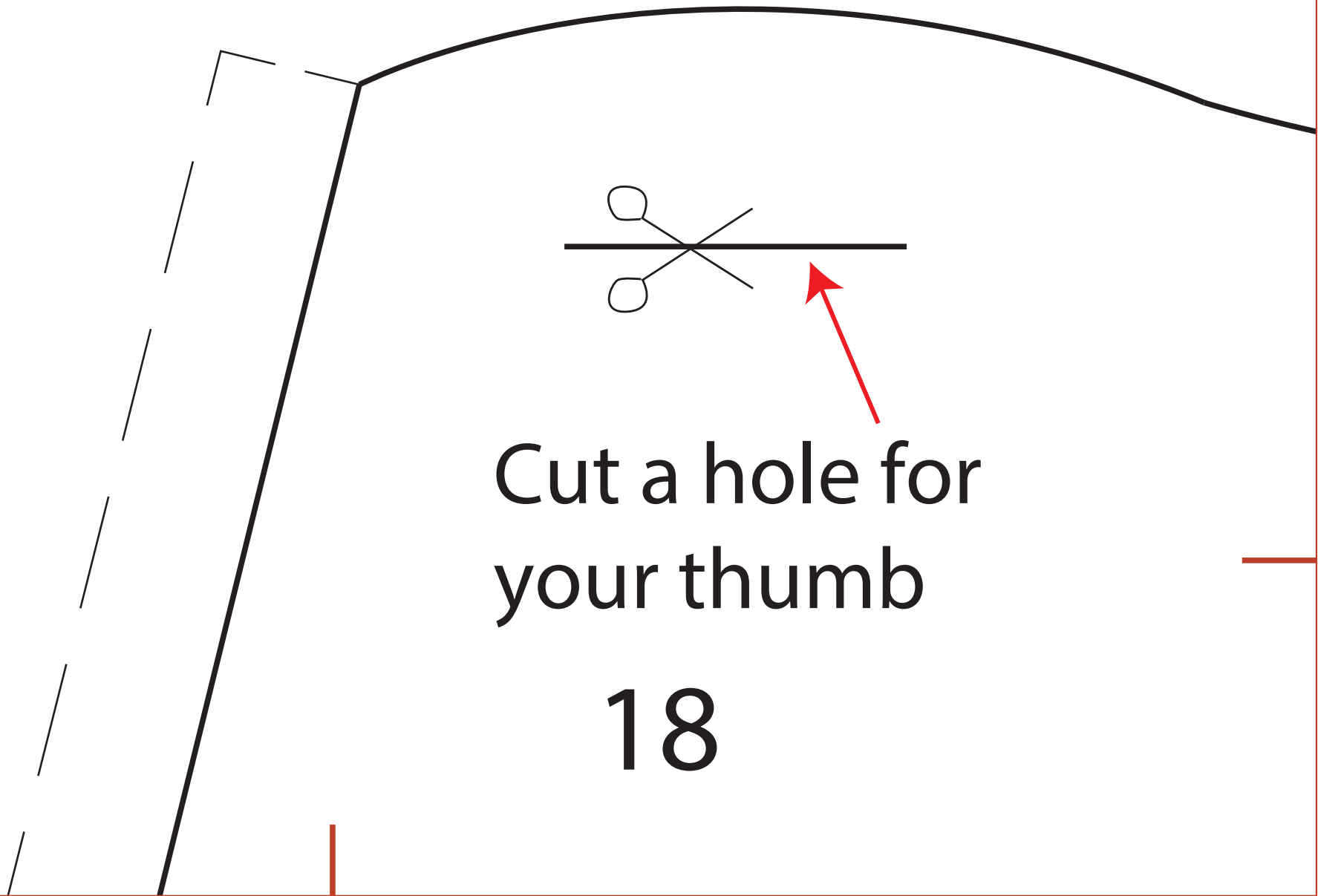


Mönsterübersicht

Place the A4 sheets in the order according to the overview.
The sheets should be taped side by side, there should be no overlap.

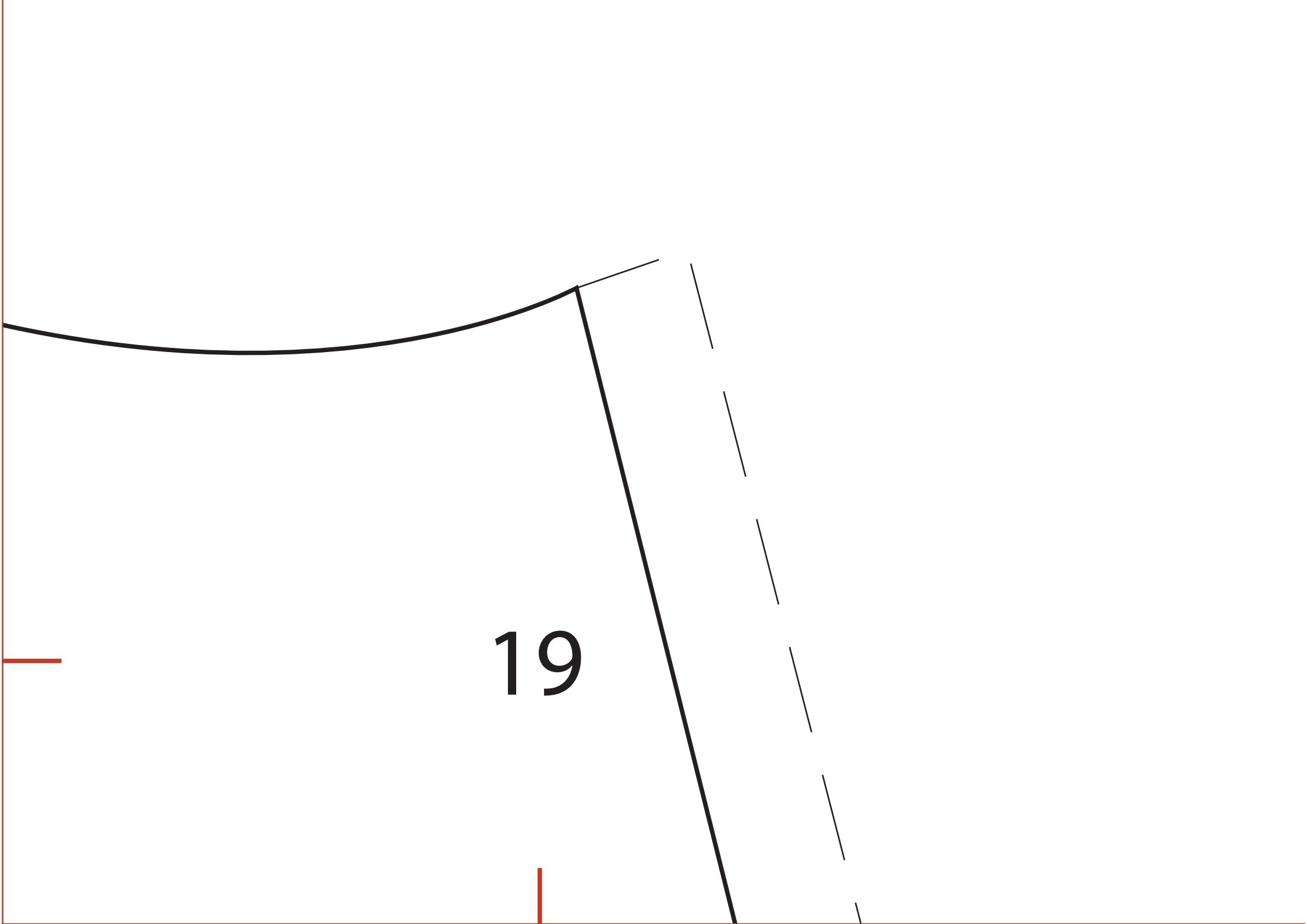
The red markings are at each joint, make sure they line up. Note that the printer may not print fully out to the edges on the sheets, so you may need to fill in with straight lines.





Cut a hole for
your thumb

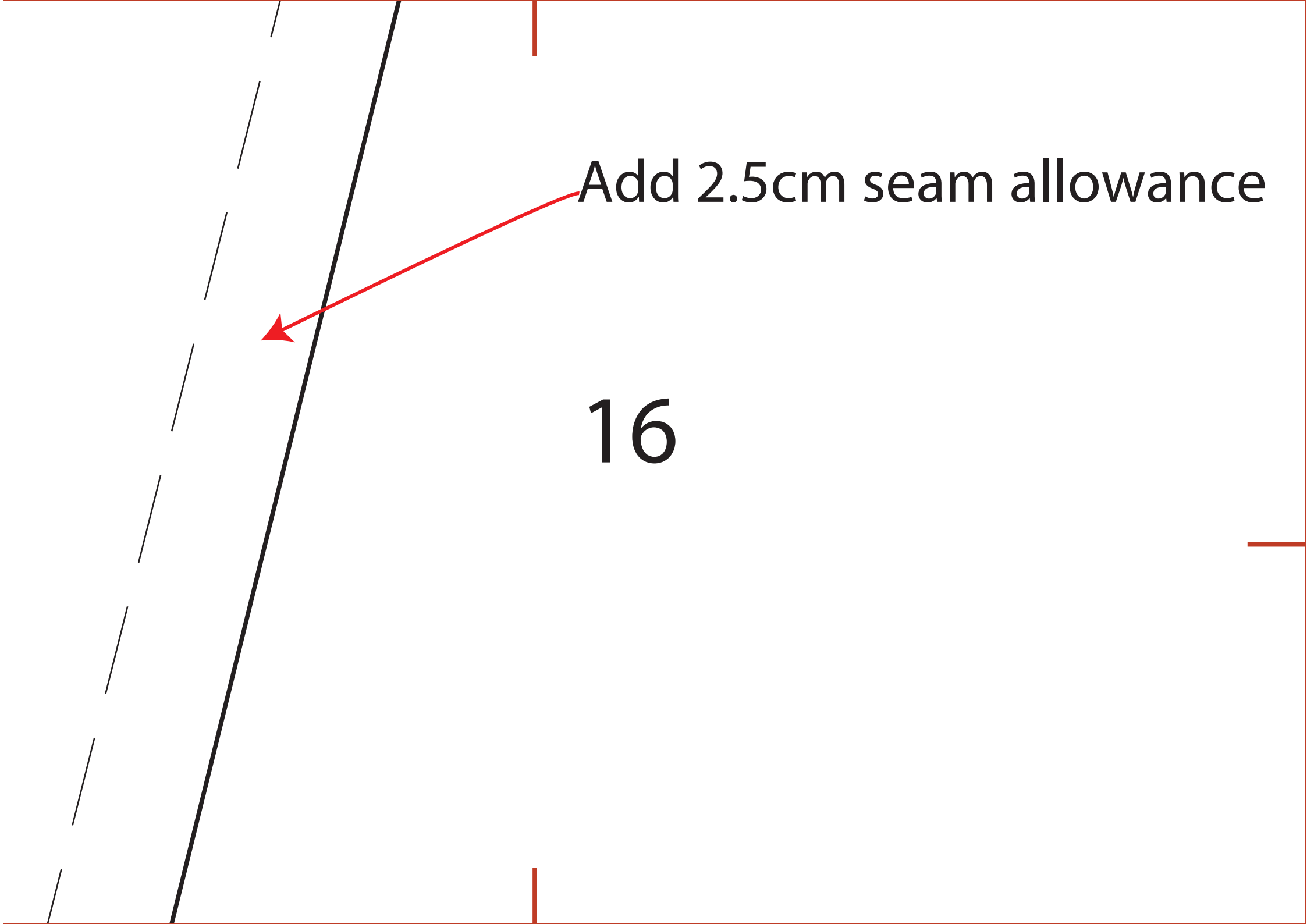
18



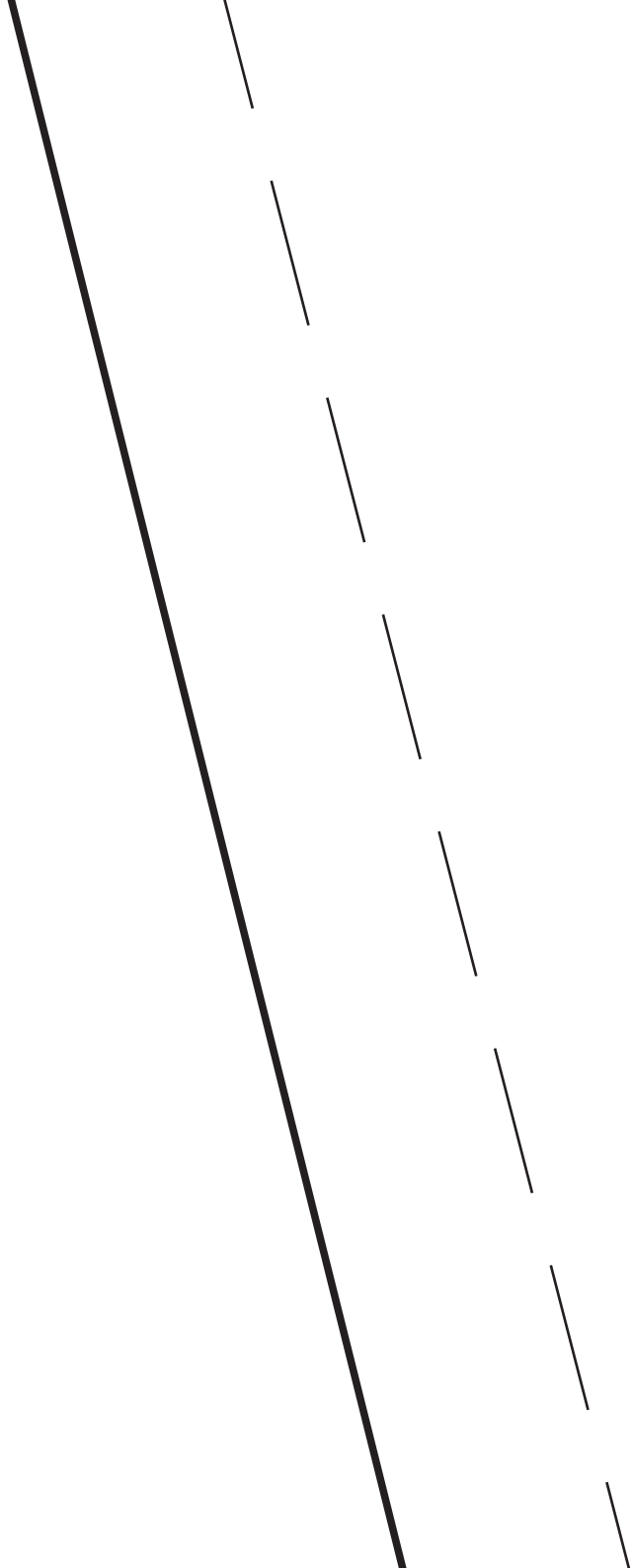
19

Add 2.5cm seam allowance

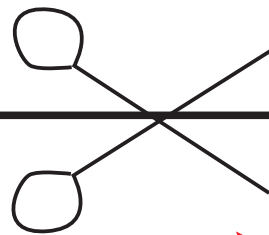
16



17



11





Cut for tie

6

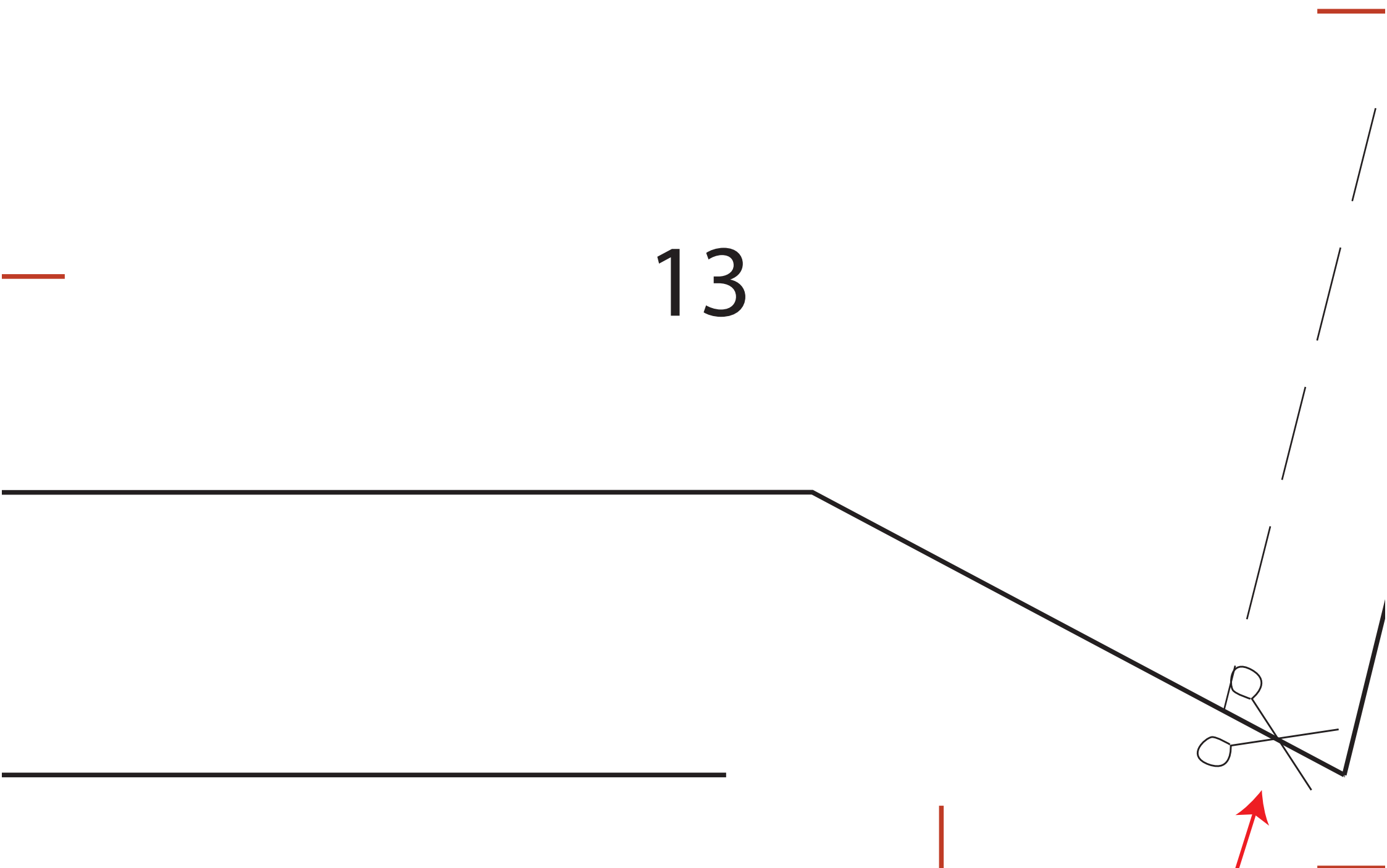




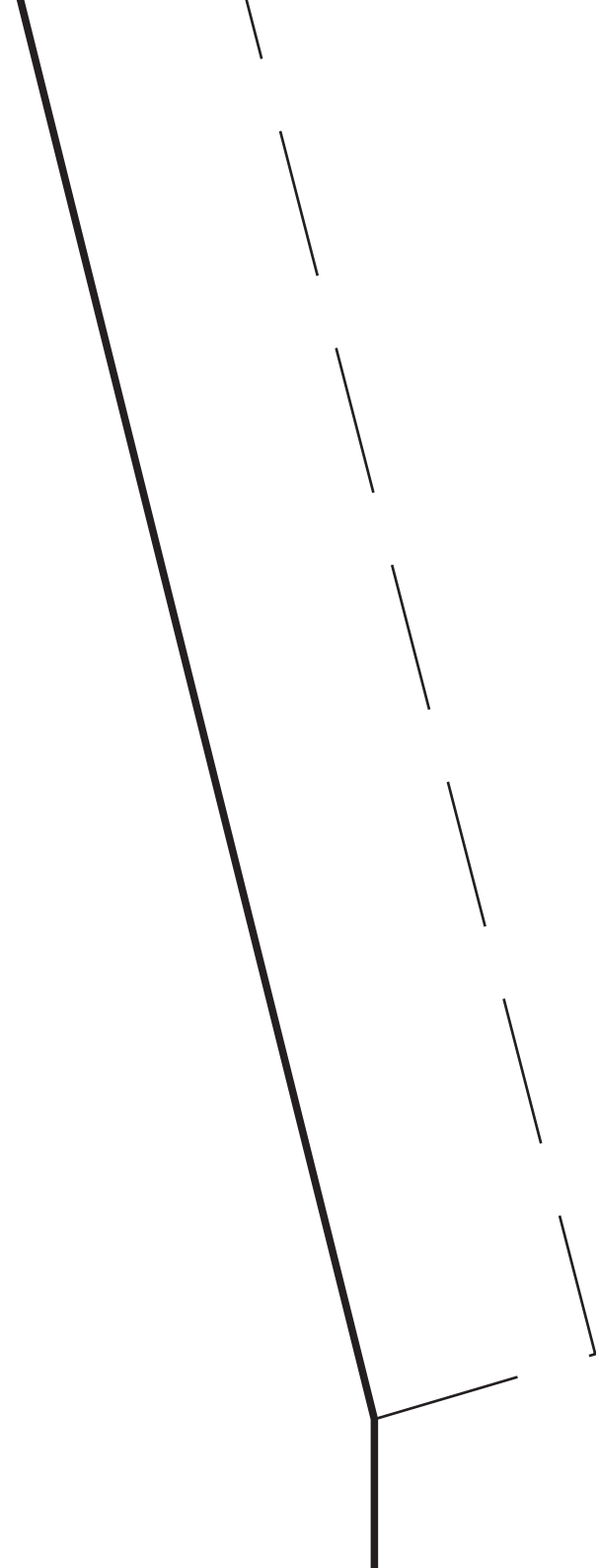
10

12

13



15



The image shows a white page with the number '14' centered in a large, black, sans-serif font. There are several red lines scattered across the page: a horizontal line near the top left, a vertical line near the top center, a horizontal line near the bottom left, a vertical line near the bottom center, and a horizontal line near the right edge. A thick black diagonal line runs from the top left towards the bottom left. There are also some thin black lines near the top left corner.

14

7



Cut here too

8

9

1

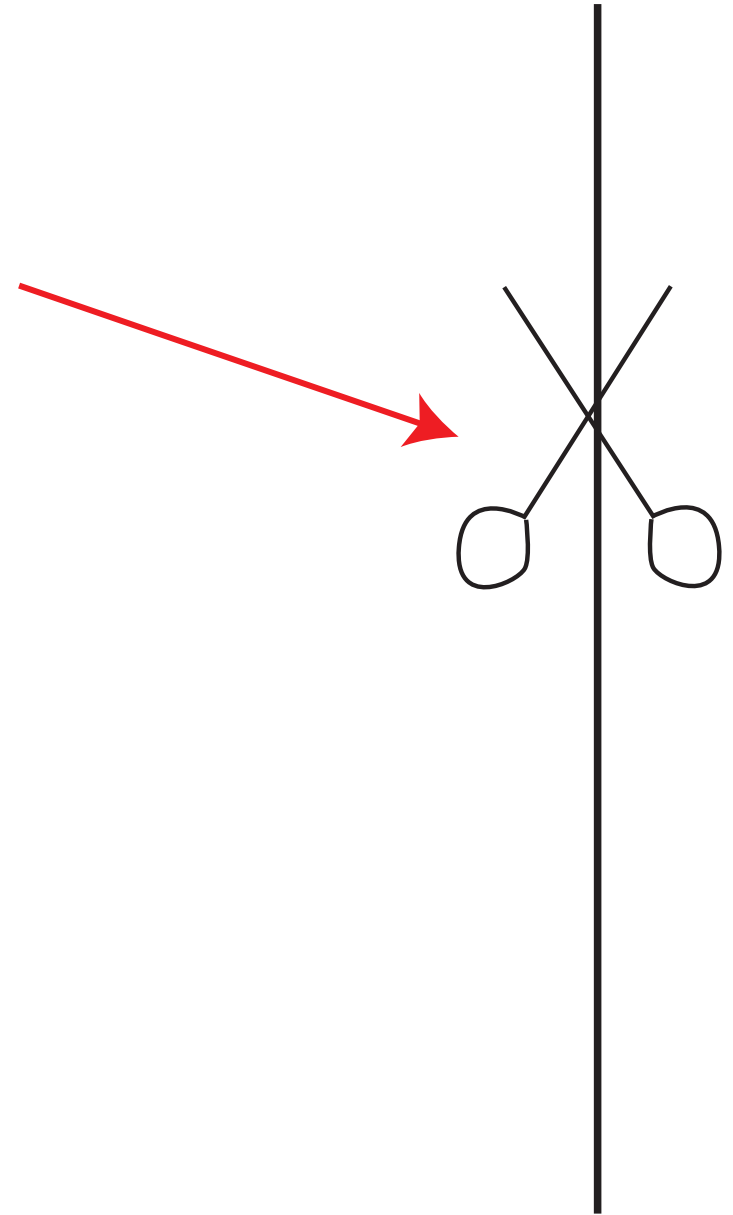
2

3

Against folded edge

Neck hole

4





Against
folded edge

The diagram shows a black line forming a shape with a horizontal bottom edge, a vertical left edge, a vertical right edge, and a diagonal top edge. A red line is positioned above the black line, consisting of a horizontal segment on the left and a vertical segment on the right. The text 'Against folded edge' is located in the bottom-left area, and the number '5' is centered between the vertical and diagonal segments of the black line.

5